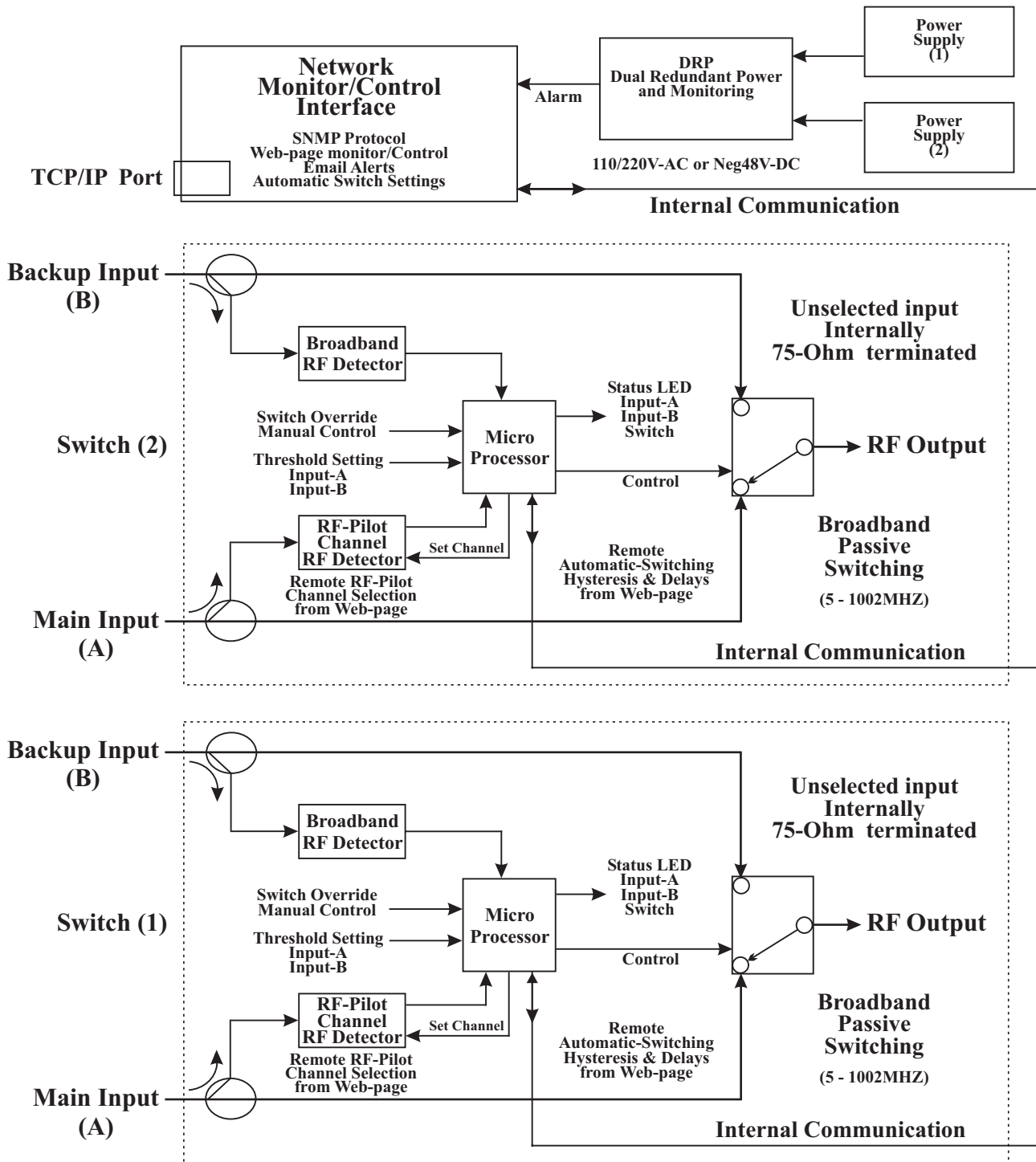




Tekron Communication Systems

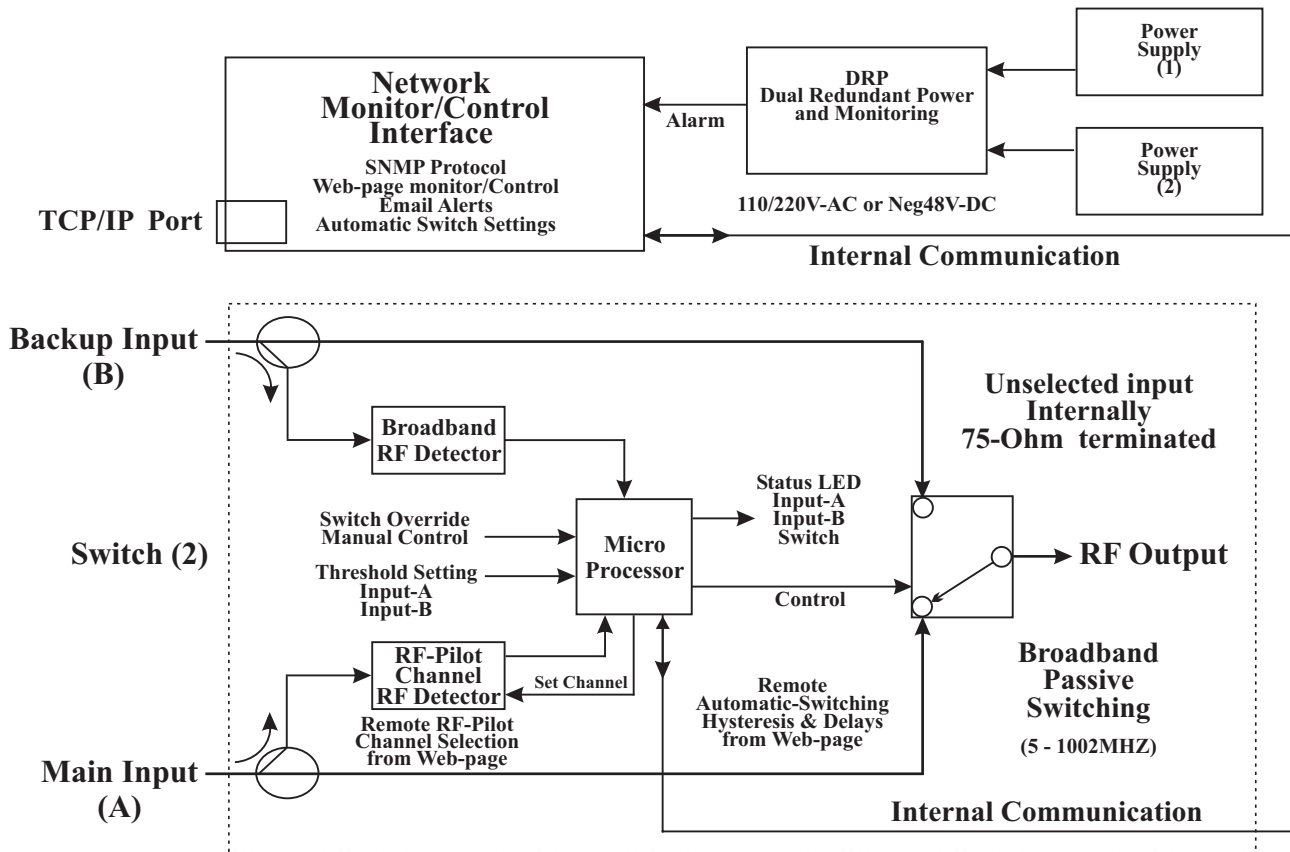
RMS-2RC RF-Pilot Redundancy Dual switch Station

Function Diagram



**RMS2RC-1
RF-Pilot Redundancy
Single Switch Station**

Function Diagram

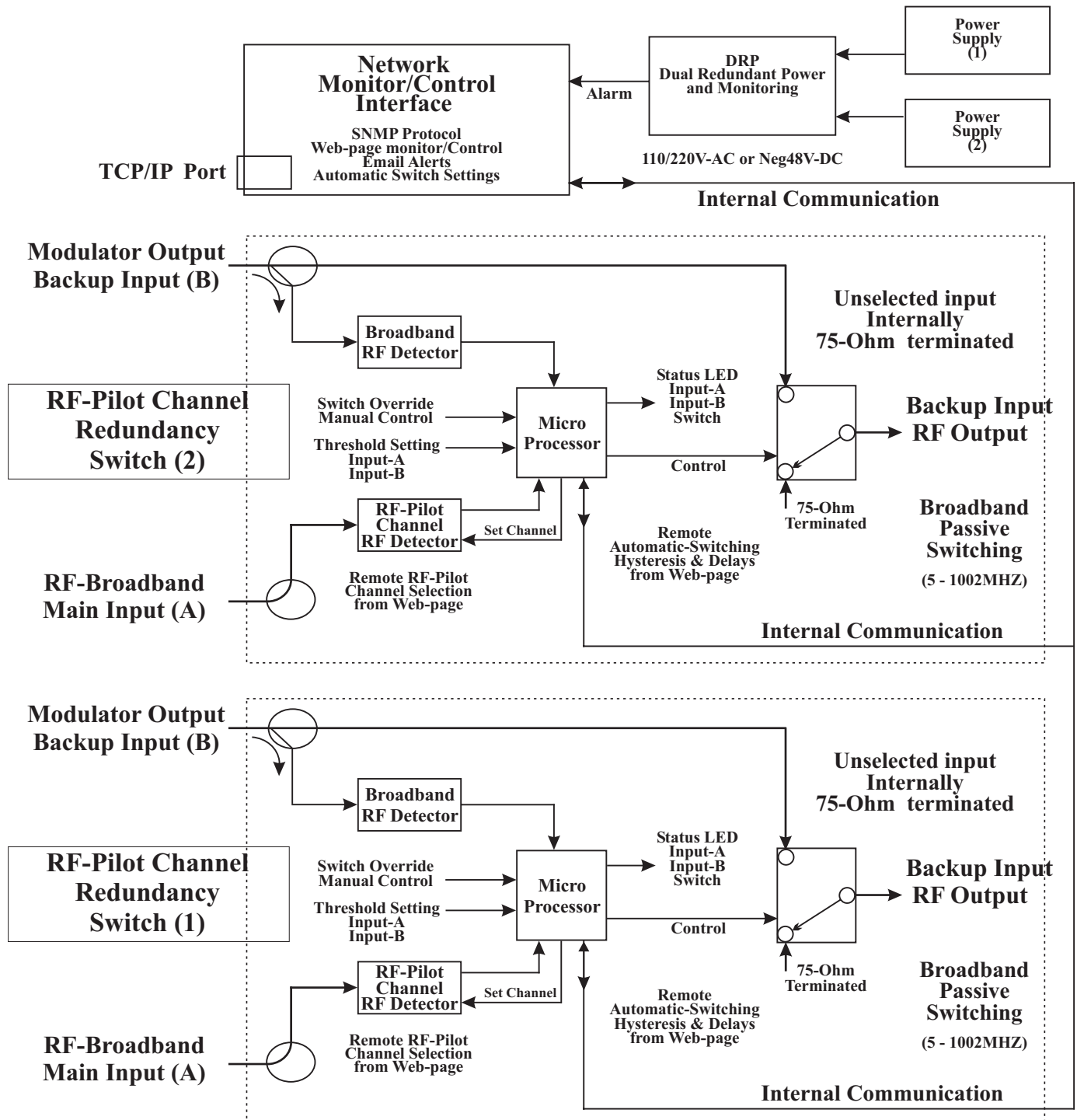




Tekron Communication Systems

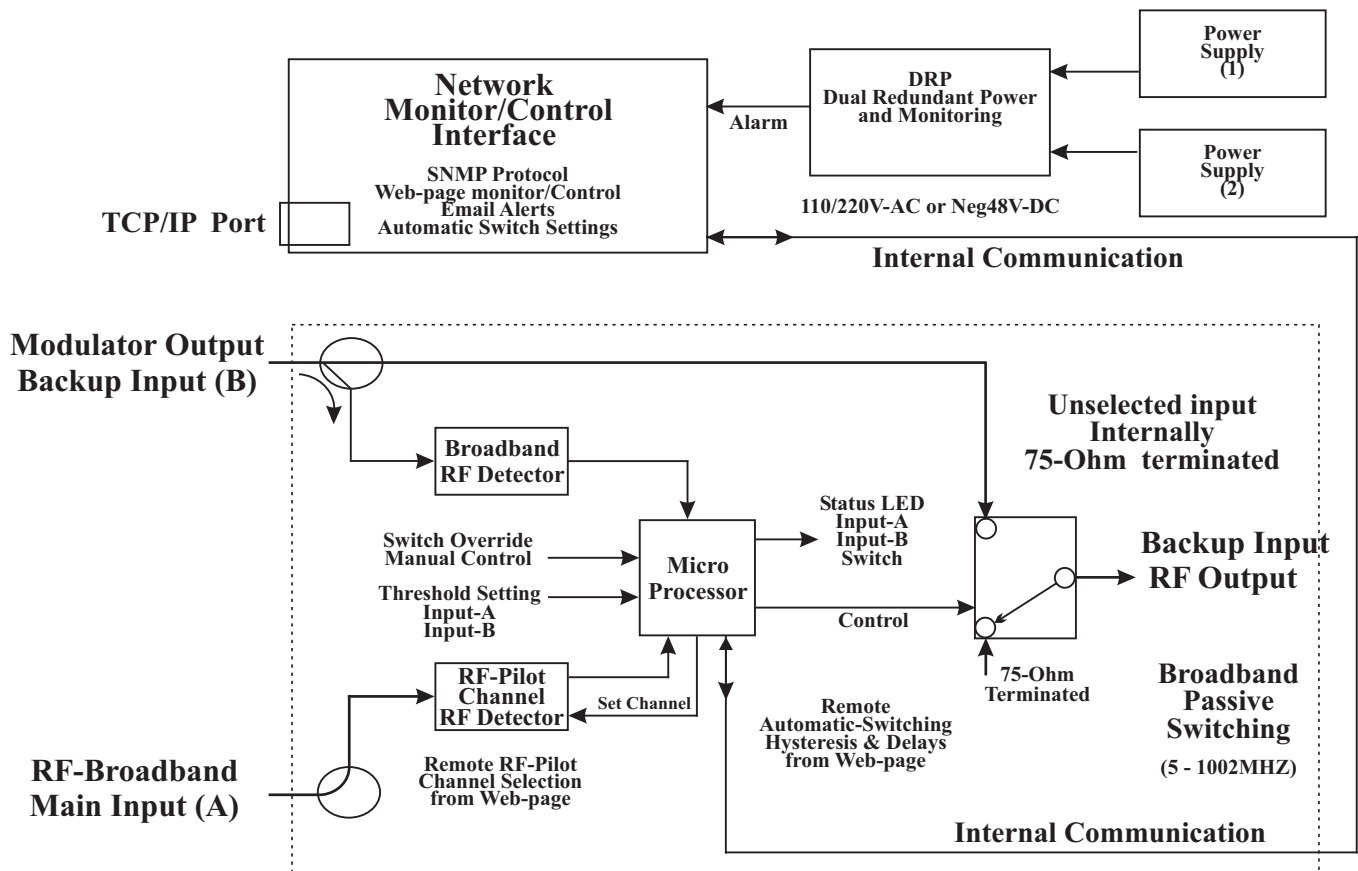
RMS-2HB Hub Site RF-Pilot Redundancy Dual Switch Station

Function Diagram



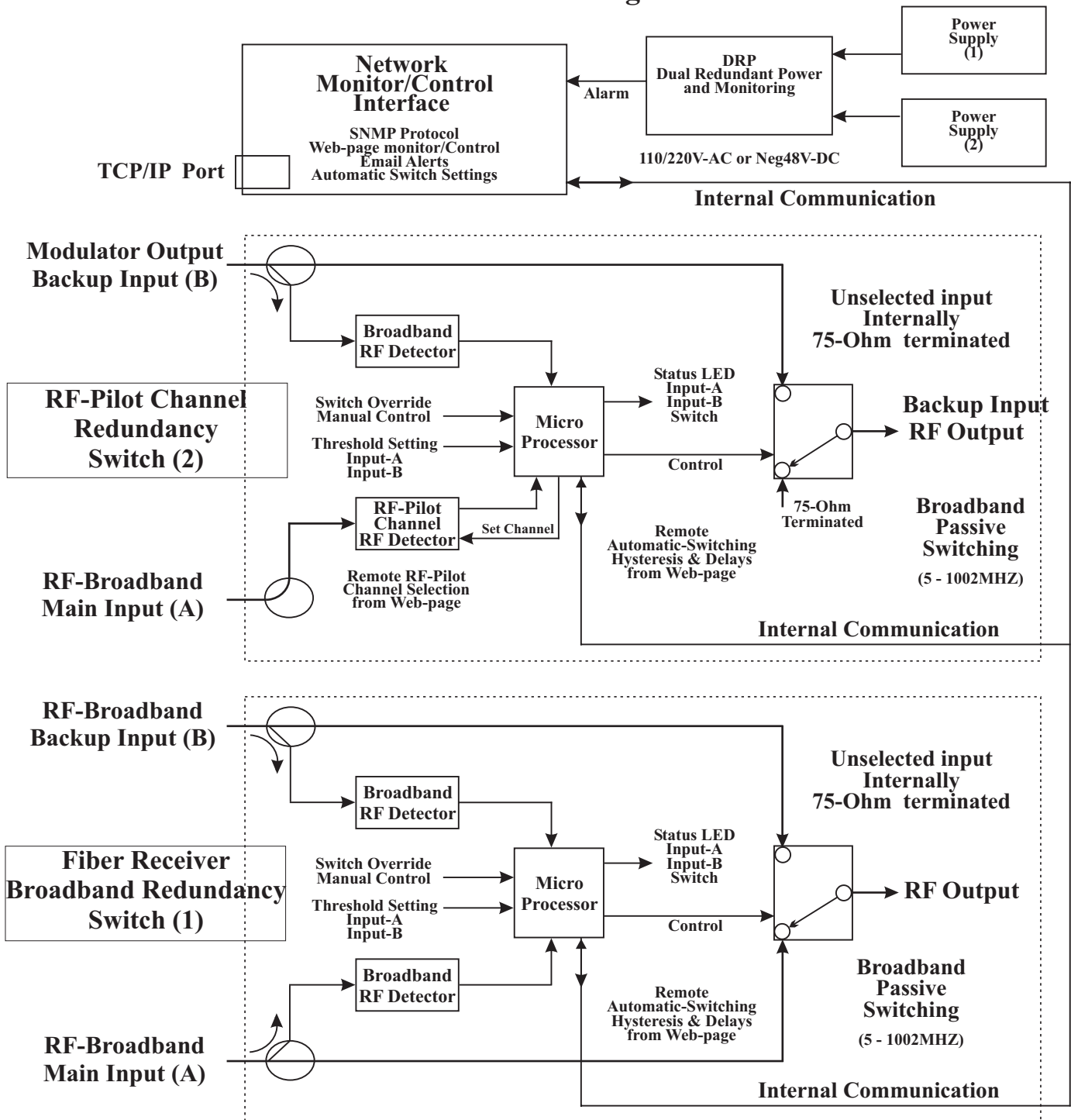
**RMS2HB-1
Hub Site
RF-Pilot Redundancy
Single Switch Station**

Function Diagram

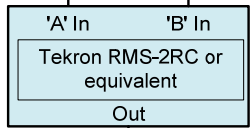
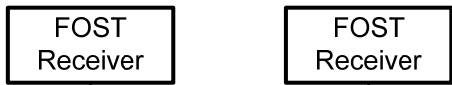


RMS-2HCT Hub Site Receiver Broadband with RF-Pilot Channel Redundancy

Function Diagram

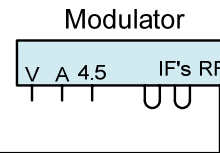


Redundant fiber feeds



**Tekron
RMS-2HCT
(Switch#1)**

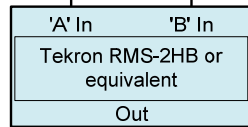
**RMS-2HCT
Redundant Feed Hub
and RF-Pilot Channel
Redundancy Switching Station**



New backup Pilot Modulator
Unmodulated CW output set at same
level as FOST pilot.
(any modulator capable of CW output)

RF-Broadband feed

**Tekron
RMS-2HCT
(Switch#2)**



On loss of Pilot signal, RF switch will flip from 75 ohm termination, to backup pilot. Any services/video still available on the FOST will remain, as well as those locally inserted (PEG Channels, VOD, HSD, and CDV).

To Hub
Combining