

SWR Series

shallow wall rack

ideal for wall mounting interconnect panels

features:

- 12-1/2" overall depth, 11-7/8" useable depth
- Reversible swing
- Conduit entry LKO's top and bottom
- Available in two racking heights
- Accepts solid, vented and plexi front doors
- Finished in a durable black powder coat



specifications:

EIA compliant 19" wall mount rack shall be Middle Atlantic Products model # SWR-___-12 (refer to chart). Overall dimensions shall be 23.44" W x 25.13"/32.13" H x 12.5" D (refer to chart). Weight capacity shall be 150 lbs. Center section and backpan shall be constructed of cold rolled steel, phosphate pre-treated and finished in a black textured powder coat. Rackrail shall be constructed of 11-gauge steel with tapped 10-32 mounting holes in universal EIA spacing with black e-coat finish and marked rackspaces. Rack shall be constructed to swing open for component cabling access, center section shall pivot for either left or right opening, have a side mounted lock and have user positionable side mounted or top mounted latches. Rack shall have a useable depth of 11-7/8". Rack shall have 1/2", 3/4", 1", 1-1/2" and 3" electrical knockouts, and BNC knockouts for UHF/VHF antennas in top and bottom. Backpan shall have a 12-1/2" x 12-1/2" laser knockout for cable pass-through. Rack shall be GREENGUARD Gold Certified. Rack shall be RoHS EU Directive 2002/95/EC compliant. Rack shall be manufactured by an ISO 9001 and ISO 14001 registered company. Rack shall be warrantied to be free from defects in material or workmanship under normal use and conditions for the lifetime of the rack.

Customizable specification clips available at middleatlantic.com

EIA/TIA COMPLIANT



PRODUCT CERTIFIED FOR
LOW CHEMICAL EMISSIONS
UL.COM/GG
UL 2818

options:

- Front doors - shall be part # FD-XX (solid), VFD-XX (vented, 22% open area), LVFD-XX (vented, 68% open area) (PFD-XX (plexi), (XX=# of rackspaces)

what **great systems** are built on.™

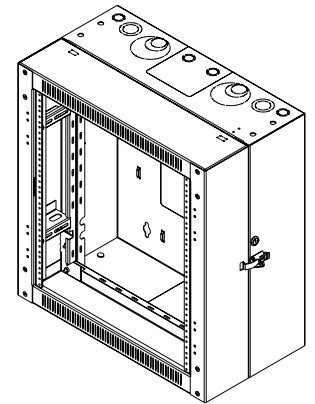
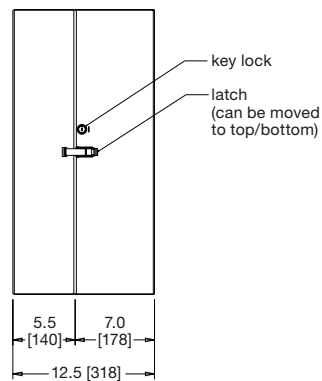
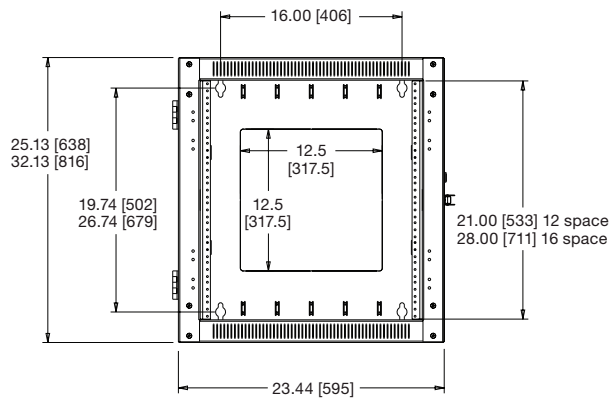
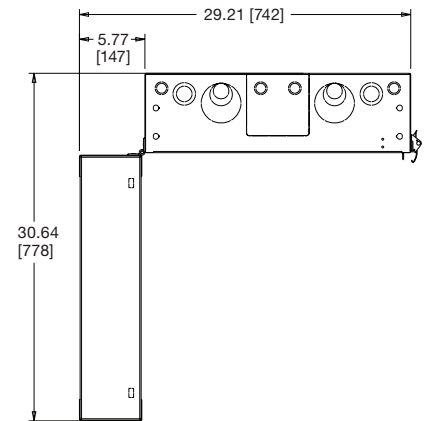
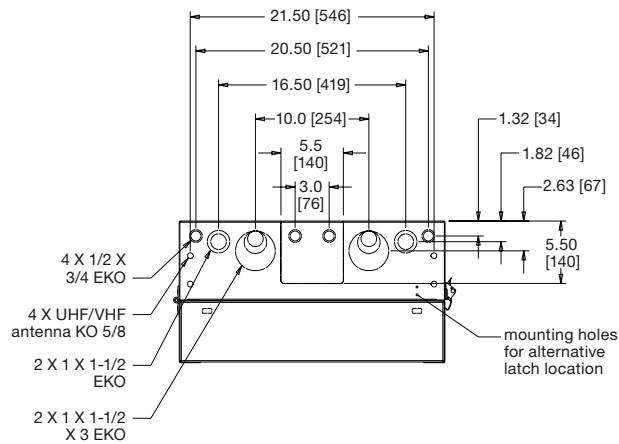
A Group brand | **legrand**

Middle Atlantic Products

SWR Series

basic dimensions

all dimensions in inches unless otherwise noted [all dimensions in brackets are in millimeters]



- Notes:
1. 12 and 16 space models are represented in this drawing (SWR-12-12 / SWR-16-12)
 2. 11-7/8" useable depth
 3. 150 lb. weight capacity

what **great systems** are built on.™

A Group brand | **legrand**

MA
Middle Atlantic Products

Provided by: Mega Hertz 800-883-8839 info@go2mhz.com www.go2mhz.com