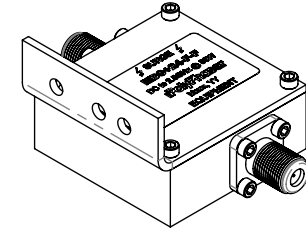
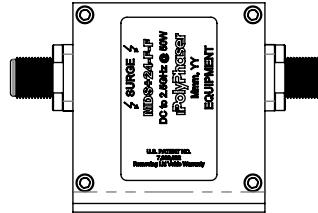


Provided by: Mega Hertz 800-883-8839 info@go2mhz.com www.go2mhz.com

REVISIONS				
REV.	DESCRIPTION	ECN	DATE	APPROVED
J	REFER TO ECN	13756	8/5/16	EJD

HARDWARE KIT INCLUDES:	
QTY	DESCRIPTION
2	SCREW 10-32 X .50 SLOT MS PAN 18-8 SS
2	NUT 10-32 HEX 18-8 SS
2	WASHER 10 EXT TOOTH SS



**MAXIMUM CHARACTERISTICS**

**IMPEDANCE:**

75 Ohms

**RF POWER CAPABILITY:**

50 Watts

**TELEMETRY FREQUENCY BAND:**

10 kHz TO 150 kHz

10 MHz TO 100 MHz

**Rx/Tx FREQUENCY BAND:**

300 MHz TO 2500 MHz

**TELEMETRY INSERTION LOSS:**

2.0 dB MAX.

**Rx/Tx INSERTION LOSS:**

1.0dB MAX 300 TO 2000MHz

1.1dB MAX 2000MHz TO 2500MHz

**TELEMETRY I/O RETURN LOSS:**

10 dB MIN.

**Rx/Tx I/O RETURN LOSS:**

15 dB MIN.

**Rx/Tx GROUP DELAY VARIATION:**

100 ps MAX.

**OPERATING VOLTAGE & CURRENT:**

+24 VDC @ 3 Amps

**STAND OFF VOLTAGE:**

±33 VDC

**SURGE PROTECTION:**

IEC 61000-4-5, 8/20 μS @ 3 kA

IEC 61000-4-5, 10/350 μS @ 3 kA

**PEAK LET THROUGH VOLTAGE:**

2X OPERATING VOLTAGE

**THROUGH-PUT ENERGY:**

1 mJ MAX.

**OPERATING ENVIRONMENT:**

TEMPERATURE RANGE: -50 TO +85°C

RELATIVE HUMIDITY: 0 TO 100% CONDENSING

ALTITUDE: 15,000 FEET

**STORAGE ENVIRONMENT:**

TEMPERATURE RANGE: -50 TO +95°C

RELATIVE HUMIDITY: 0 TO 100% CONDENSING

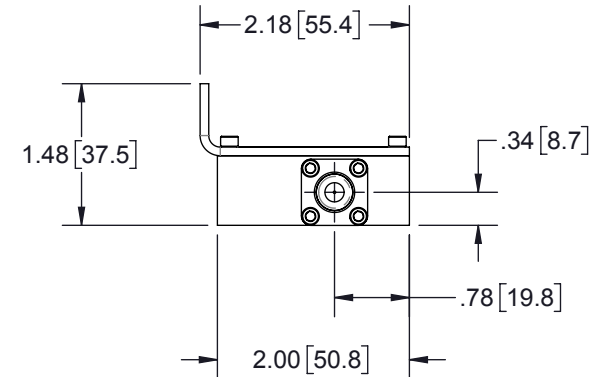
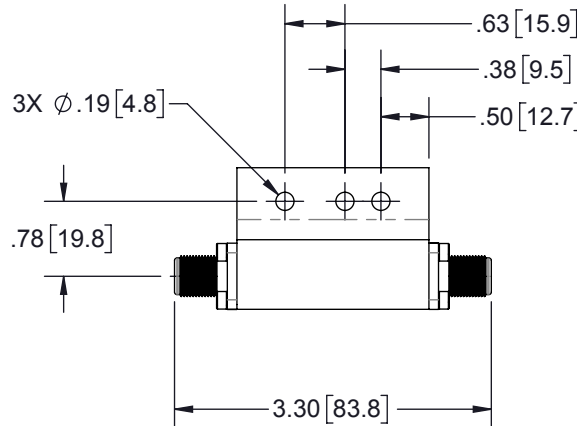
ALTITUDE: 50,000 FEET

**SHOCK AND VIBRATION:**

OPERATING VIBRATION: ETS 300 019-2-4, CLASS 4M3

OPERATING SHOCK: ETS 300 019-2-4, CLASS 4M3

TRANSPORTATION: ETS 300 019, CLASSIFICATION 2.3



CUSTOMER APPROVAL: \_\_\_\_\_ DATE: \_\_\_\_\_

ALL DIMENSIONS SHOWN ARE FOR REFERENCE ONLY.

<small>UNLESS OTHERWISE SPECIFIED LEADING DIMENSIONS ARE INCHES DIMENSIONS IN [ ] ARE MILLIMETERS</small> <b>TOLERANCES:</b> FRACTIONS=± 1/32 .XX=± .03 ANGLES=± 1° .XXX=± .010 <small>NOTICE: THE INFORMATION AND DESIGN IN THIS DOCUMENT IS THE PROPERTY OF POLYPHASER CORPORATION. ALL RIGHTS RESERVED.</small>	DRAWN	IB	DATE			SHEET	1	OF	1				
	ENG APPD	RCD	7/10/02			SCALE	1:2						
	PRODUCT MGR	LC	7/3/02			<b>TITLE</b> <b>BIAS NETWORK</b> <b>75 OHM F FEM</b> <small>CUSTOMER SPECIFICATION</small>							
	MARKETING APPD	PH	7/10/02										
PROJECT NO.	MDS+24-F-F-C			SIZE	A	CAGE	30992	PROD CAT	RFP	PART NUMBER	MDS+24-F-F	REV	J

THESE COMMODITIES, TECHNOLOGY OR SOFTWARE WERE EXPORTED FROM THE UNITED STATES IN ACCORDANCE WITH THE EXPORT ADMINISTRATION REGULATIONS. DIVERSION CONTRARY TO U.S. LAW PROHIBITED.