

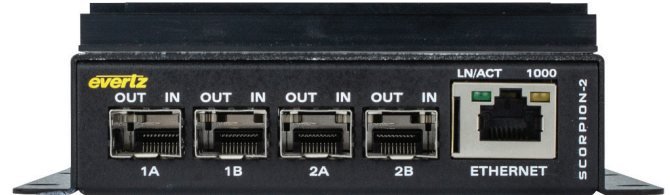
# SCORPION-2

## Media Processing Platform — Miniature Frame

The SCORPION-2 Media Processing Platform is a miniature form factor, multi-service signal conversion, aggregation enclosure capable of simultaneously transporting video, audio and data services over 1GbE/10GbE and 25GbE Ethernet WAN networks (when equipped with MIO module capable of 10GbE or 25GbE IP processing). Using the SCORPION series of Mini I/O Modules, the SCORPION-2 is highly flexible and can accommodate a multitude of signals including single-link 12Gb/s SDI, Ethernet, MADl, AES, HDMI, intercom and serial data. The SCORPION-2 will take on the function of the MIO module installed and can become a standalone IP gateway or dark fiber media converter.

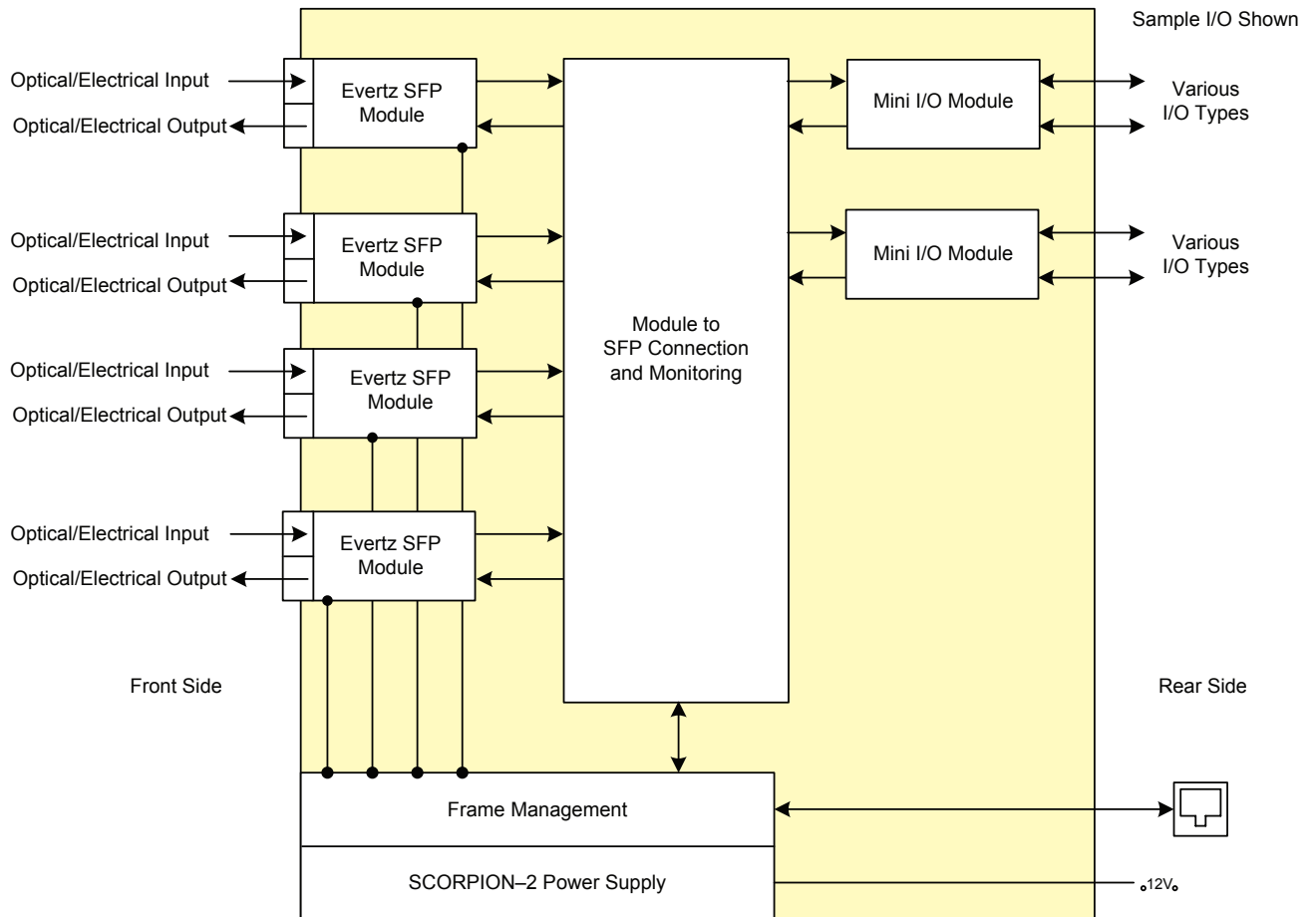
When combined with other SCORPION form factors including the 1RU SCORPION-X18 or SCORPION-4, the SCORPION-2 becomes part of an integrated, scalable transport network with point-to-point, ring and hub-and-spoke configurations enabling the sharing of content from different sites using different transport media.

The SCORPION-2 possesses a compact fanless form factor, and is designed to be operated in portable and/or low noise environments. The SCORPION-2 is ideal for mobile and live sports production applications.



### ► Features & Benefits

- High density and fully modular in a miniature form factor
- All in one platform to handle video, audio, data transport needs
- Up to 2x Mini I/O Modules can fit into the standalone frame
- Up to 4x SFP Ports for transport connectivity
- Supports MSA SFP transceivers
- Diverse signal Types such as 12G/6G/3G/HD/ASI, Ethernet, Serial Data, Intercom, HDMI, USB and Intercom
- Onboard signal integrity and link analysis
- Multiple control options including SNMP, Web Access, Control Panels and MAGNUM
- Fanless operation with integrated heatsink for power dissipation



### ► Specifications

<b>System</b>		<b>Electrical Inputs/Outputs</b>		<b>Electrical</b>	
Density:	4x SFP's 2x SCORPION Mini I/O Modules	Connector:	Dependant on SCORPION Mini I/O Module (see appropriate specifications)	Voltage:	DC Input 12V DC
Impedance:	Dependant on SCORPION Mini I/O Module (see appropriate specifications)	Impedance:	Dependant on SCORPION Mini I/O Module (see appropriate specifications)	Power Consumption:	25W empty, 132W fully loaded
Connector:	Dependant on SCORPION Mini I/O Module (see appropriate specifications)			Connectors:	12V DC, auto ranging 100-240V AC 50/60Hz adapter included
<b>Communication and Control</b>		<b>Physical</b>		<b>Compliance</b>	
Ethernet:	SNMP over IEEE 802.3/U (10/100/1000 BaseTx) RJ-45 connector	Dimensions:	1.25"H x 4.25"W x 6"D	Safety:	CSA Listed, complies with EU Safety Directive
Control:	SNMP, Web Access, Direct Control and Control Panels	Module Capacity:	4x Evertz SFP modules 4x SCORPION Mini I/O Modules	EMC:	Complies with FCC part 15, Class A Complies with EU EMC Directives
		Operating Temperature:	0-50 °C		
				Status Indicators:	LED on unit

### ► Ordering Information

**SCORPION-2** Media Processing Platform — Miniature Frame

**Mini I/O Modules:** See separate Mini I/O Module specifications

**Compatible SFPs:** See separate Evertz compatible SFPs specifications

**10G Trunk Interfaces:** See SFP10G-TR Series specification sheet

### ► Available Mini I/O Modules \* See Mini I/O Module specification document for more details.

<b>MIO-VB-2-12G</b>	Dual BNC 12G/6G/3G/HD/SD/ASI Video Access Module
<b>MIO-GE-RJ45</b>	1GbE Ethernet Access Module
<b>MIO-AES-IP</b>	AES Access Module over IP
<b>MIO-AES-D4</b>	AES Audio De-embedder Module
<b>MIO-IT-IP</b>	Intercom Transceiver Module (2x Analog Audio In/Out, 2x Serial Data, 4x GPIO), dual slot
<b>MIO-HDMI-IN-3G</b>	HDMI Input Access Module
<b>MIO-HDMI-OUT-3G</b>	HDMI Output Access Module
<b>MIO-HDMI-IN-4K</b>	4K SDI and HDMI Input Module, dual slot
<b>MIO-HDMI-OUT-4K</b>	4K SDI and HDMI Output Module, dual slot