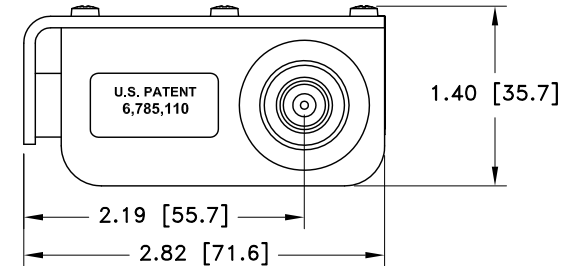
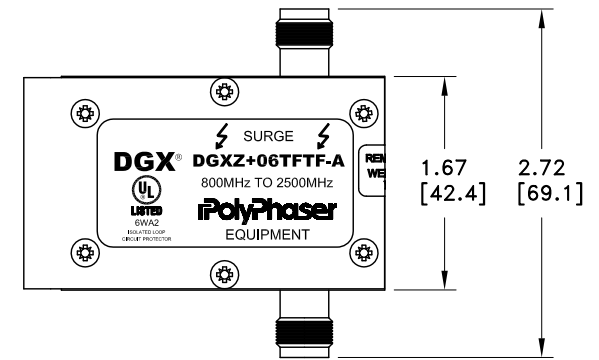
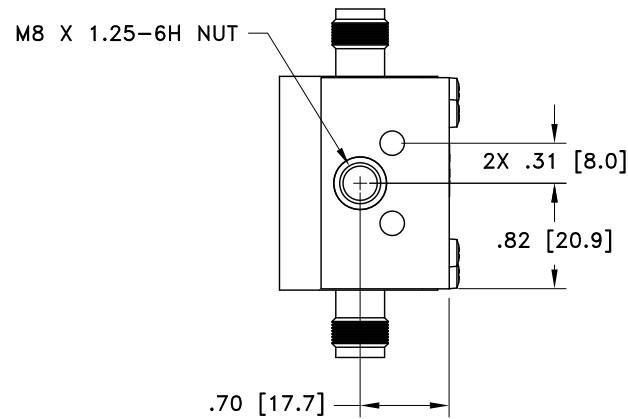
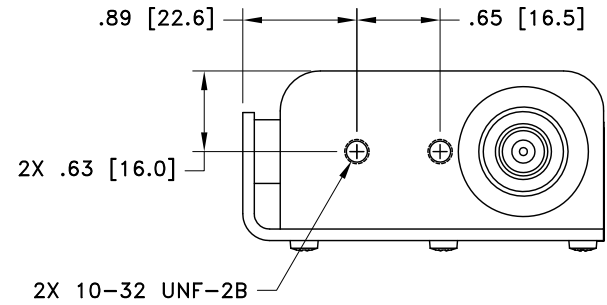


ALL DESIGN, OPERATIVE AND PROCESS DATA PERTAINING TO THE ARTICLE SHOWN ON THIS SHEET IS THE PROPERTY OF POLYPHASER CORPORATION. THE INFORMATION IS NOT TO BE COPIED, REPRODUCED, REVEALED TO OR APPROPRIATED BY OTHERS WITHOUT THE EXPRESS WRITTEN CONSENT OF POLYPHASER CORPORATION.

REVISIONS				
REV LTR	DATE	ENG	MKTG	Q.A.
A	05/15/07	KB	CP	RM




MAXIMUM CHARACTERISTICS

APPLICATION:
WEATHERIZED, FLANGE OR BULKHEAD MOUNT
FREQUENCY RANGE:
800MHz TO 2500MHz
VSWR:
≤1.1:1 OVER FREQUENCY RANGE
INSERTION LOSS:
≤0.1dB OVER FREQUENCY RANGE
POWER:
300Wrms AVERAGE
TURN ON:
+6.5Vdc
TURN ON TIME:
4ns FOR 2kV/ns
MAX. SURGE:
20kA IEC 61000-4-5 8/20μs WAVEFORM
THROUGHPUT ENERGY:
≤175μJ FOR 3kA, 8/20μs WAVEFORM
USER VOLTAGE:
+6.0Vdc MAX
USAGE CURRENT:
≤4.0A CONTINUOUS
RELATIVE HUMIDITY:
TO 95%
ENVIRONMENTAL:
MEETS IEC 60529 IP67
MEETS BELLCORE #TA-NWT-000487
PROCEDURE 4.11, WIND DRIVEN (120MPH)
RAIN INTRUSION TEST.
TEMPERATURE:
-50°C TO +85°C STORAGE/OPERATING

CUSTOMER APPROVAL: _____ DATE: _____

ALL DIMENSIONS SHOWN ABOVE ARE FOR REFERENCE ONLY.

DRAFTER S. HALL	DATE 11/14/06	 P.O. BOX 9000 MINDEN, NV 89423 TEL: 775-782-2511 FAX: 775-782-4476 DWG NO/PART NO/DESCRIPTION DGXZ+06TFTF-A CUSTOMER PRINT	
MECH ENGINEER R. SWART	DATE 12/01/06		
ELEC ENGINEER K. BARTEL	DATE 11/30/06		
MARKETING C. PACHECO	DATE 11/30/06		
QUALITY DEPT R. MATHEUS	DATE 11/30/06		
CAGE CODE 61114	FILE NAME -C1	SCALE NOTED	SHEET 1 OF 1

These commodities or technology are exported from the U.S. in accordance with the Export Administration Regulations. Diversion contrary to U.S. law prohibited.