

SCORPION-2

Miniature Throwdown Frame



The SCORPION-2 Media Processing Platform is a miniature form factor, multi-service signal conversion, aggregation enclosure capable of simultaneously transporting video, audio and data services over Ethernet or fiber networks. Using SCORPION MIO modules, the SCORPION-2 is highly flexible and can accommodate a multitude of video, audio, and data signals. The SCORPION-2 will take on the function of the mini I/O module installed and can become a standalone IP gateway, miniature throwdown encoder, or dark fiber media converter to highlight a few use cases.

When combined with other SCORPION form factors, the SCORPION-2 becomes part of an integrated, scalable transport network, enabling the sharing of content from different sites using different transport media.

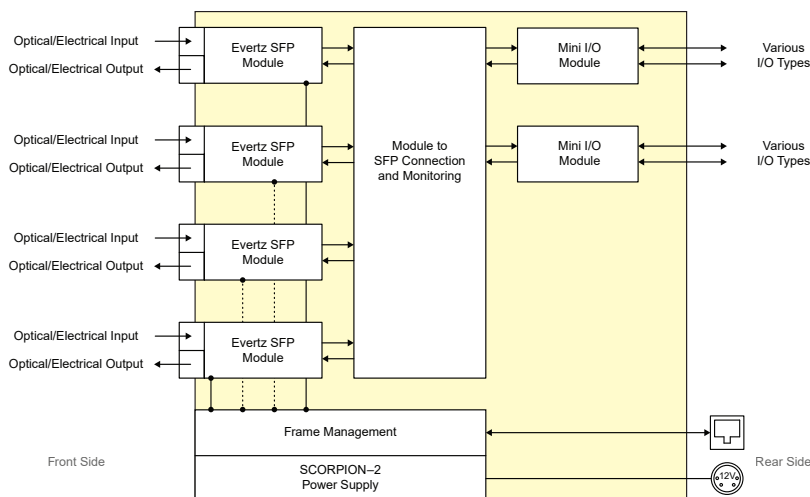
The SCORPION-2 possesses a compact fanless form factor, and is designed to be operated in portable and/or low noise environments. SCORPION-2 is ideal for mobile and live sports production applications.

Features & Benefits

- Fan-less/silent form factor
- Houses a single dual-slot or two single slot MIO modules
- Up to 4x SFP ports for transport connectivity
- Supports MSA SFP transceivers
- Built-in frame controller for monitoring and management
- 12V power brick included
- MAGNUM, VUE, VistaLINK® PRO and MAGNUM-Analytics monitoring and control
- NMOS compliant (IS-04 v1.3, IS-05 v1.1, BCP-002-01 v1.0)

Application Highlights:

- Dual-channel JPEG2000 encoder/decoder
- Dual-channel JPEG XS encoder and decoder
- Dual-channel HEVC/H.264 streaming encoder
- SMPTE ST 2110 SDI and HDMI edge device up to 4K
- SMPTE ST 2022-2/6 edge device up to 4K
- Fiber extender for video/audio/data formats



AV SOLUTIONS
CONTRIBUTION & DISTRIBUTION
CONTROL MONITORING
ENCODING, TRANSCODING & MULTIPLEXING
FACILITY LINK FIBER TRANSPORT
INFRASTRUCTURE & CONVERSION
IP SOLUTIONS
LIVE MEDIA PRODUCTION
MEDIA ASSET STORAGE & PLAYOUT
MULTIVIEWERS
IP SOLUTIONS
ROUTERS
WAN TRANSPORT

SCORPION-2

Miniature Throwdown Frame



Specifications

System:

Density: 4x SFP's, 2x SCORPION mini I/O modules
Impedance: Depends on SCORPION mini I/O module (see appropriate specifications)
Connector: Depends on SCORPION mini I/O module (see appropriate specifications)

Communication and Control:

Ethernet: SNMP over IEEE 802.3/U (10/100/1000 BaseTx) RJ-45 connector
Control: SNMP, web access, direct control and control panels

Electrical Inputs/Outputs:

Connector: Depends on SCORPION mini I/O module (see appropriate specifications)
Impedance: Depends on SCORPION mini I/O module (see appropriate specifications)

Physical:

Dimensions: 1.25" H x 4.25" W x 6" D (32mm x 108mm x 152mm)
Module Capacity: 4x Evertz SFP modules, 4x SCORPION mini I/O modules

Electrical:

Voltage: DC input 12V DC
Power Consumption: 25W empty, 132W fully loaded
Connectors: 12V DC, auto ranging 100-240V AC 50/60Hz adapter included
Status Indicators: LED on unit

Compliance:

Safety:
Nemko listed: IEC 62368-1:2014 IEC 60950-1:2005, AMD1:2009, AMD2:2013 UL 623698-1 2nd ED. CAN/CSA-C22.2 No. 62368-1-14

EMC/EMI:

Nemko listed: FCC 47 CFR Part15, Subpart B, ICES-003:2016, EN 55032:2012/AC:2013, EN 55035:2017

Supported Media Standards:

AMWA NMOS IS-04 v1.3, IS-05 v1.1 and BCP-002-01 v1.0

Ordering Information

SCORPION-2

Scorpion Miniature Frame (holds 2 modules).

Mini I/O Module Options:

MIO-VB-2-12G

12G/6G/3G/HD/SD/ASI video access module.

MIO-GE-RJ45-IP-SA

1GbE Ethernet access module with onboard processing.

MIO-AES-IP-SA

Dual AES67 encapsulator and de-encapsulator.

MIO-AES-IN4-IP-SA

Quad AES67 encapsulator.

MIO-AES-OUT4-IP-SA

Quad AES67 de-encapsulator.

MIO-AES-D4-SA

AES audio de-embedder module.

MIO-MADI-2-IP-SA

Single MADI encapsulator and de-encapsulator.

MIO-DANTE-64-SA

Dante® to TDM bridge module.

MIO-IT-IP-SA

Intercom transceiver module (2x analog audio in/out, 2x serial data, 4x GPIO), dual slot.

MIO-AVT-SA

Analog video/Black Burst transmit module with loop out.

MIO-AVR-SA

Analog video/Black Burst receive module.

MIO-USB-A-SA

USB-A HID interface.

MIO-USB-B-SA

USB-B HID interface.

MIO-HDMI-IN-3G-SA

HDMI input access module.

MIO-HDMI-OUT-3G-SA

HDMI output access module.

MIO-HDMI-IN-4K-SA

4K SDI or HDMI input module, dual slot.

MIO-HDMI-OUT-4K-SA

4K SDI or HDMI output module, dual slot.

MIO-HDMI-IN1-4K-IP

HDMI input module with onboard processing, dual slot.

MIO-HDMI-OUT1-4K-IP

HDMI output module with onboard processing, dual slot.

MIO-HDMI-2-4K-IP

HDMI microservice module

MIO-BLADE-ZZ1

Microservice module

MIO-DE4-3G-SA

3G/HD/SD-SDI SCTE/data/LTC/GPI embedding module

MIO-DD4-3G-SA

3G/HD/SD-SDI SCTE/data/LTC/GPI de-embedding module

SFP Interface Options:

SFPTR-13

SFP optical non-reclocked transceiver, 3Gb/s, 1310nm, SMF

SFP3TR-13-12G

SFP optical reclocked transceiver, 12Gb/s, 1310nm, SMF

SFP12G-T13-2

SFP optical reclocked dual transmitter, 12Gb/s, 1310nm, SMF

SFP12G-R-2

SFP optical reclocked dual receiver, 12Gb/s, 1310nm, SMF

SFPTR-M-HDBNC-R

SFP electrical reclocked transceiver, 12Gb/s, HD-BNC

SFP3T13-2

SFP dual optical non-reclocked transmitter, 3Gb/s, 1310nm, SMF

SFP3T13-2-S

SFP dual optical non-reclocked transmitter, 3Gb/s, short haul 1310nm, SMF

SFP3T-xx/yy-2

SFP dual optical non-reclocked transmitter, 3Gb/s, CWDM, SMF

SFP3R-2

SFP dual optical non-reclocked receiver, 3Gb/s, standard sensitivity, SMF

SFPTR-RJ45-SGM-AV

Single 10/100/1Gbps RJ-45 SFP module

SFP25G-TR13

SFP, 25Gb/s, SMF

SFP10G-TR13-A

SFP, 10Gb/s, SMF



Provided by: Mega Hertz | 800-883-8839 | info@go2mhz.com | www.go2mhz.com

<https://www.go2mhz.com/product/media-processing-platform/>